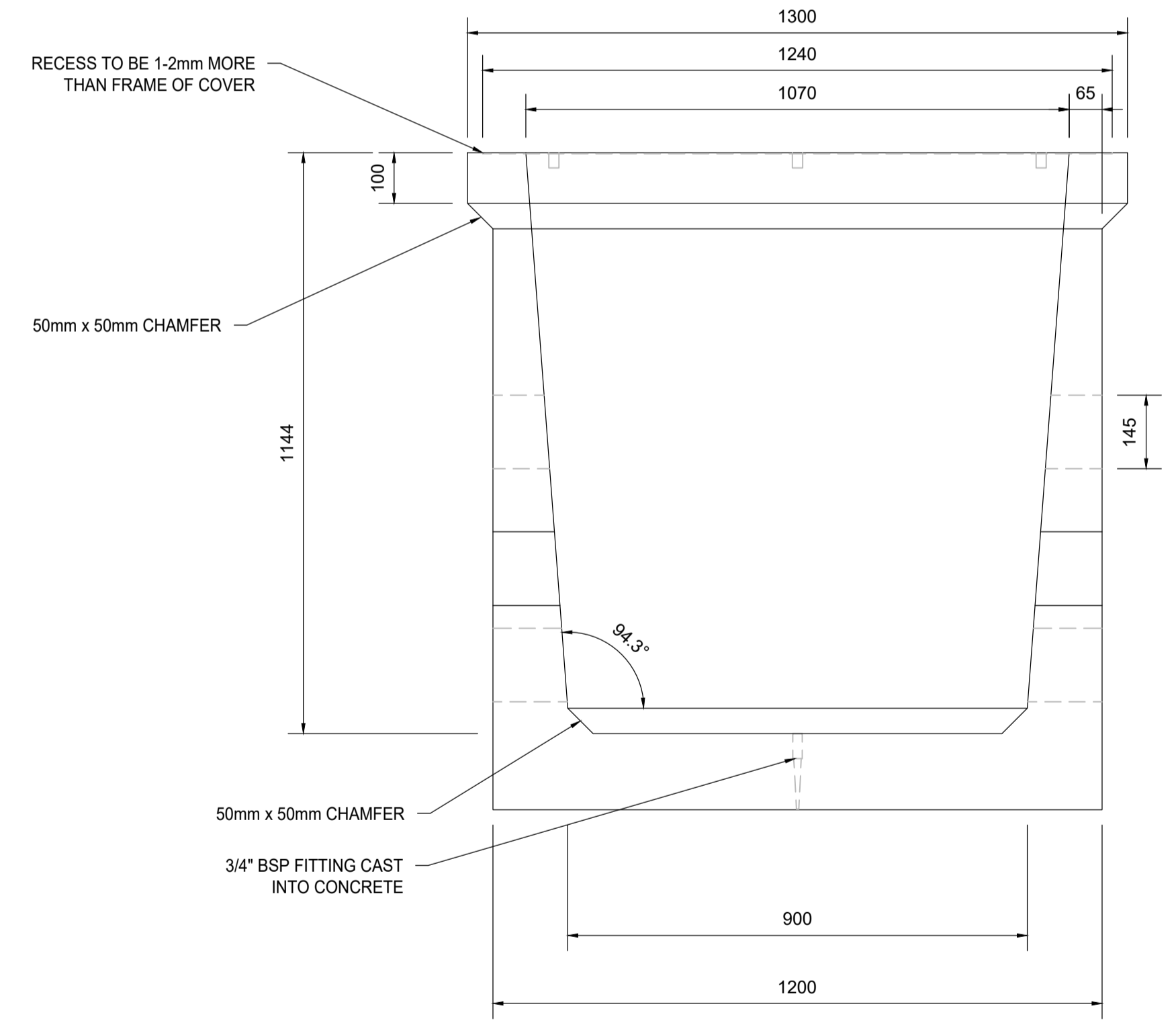
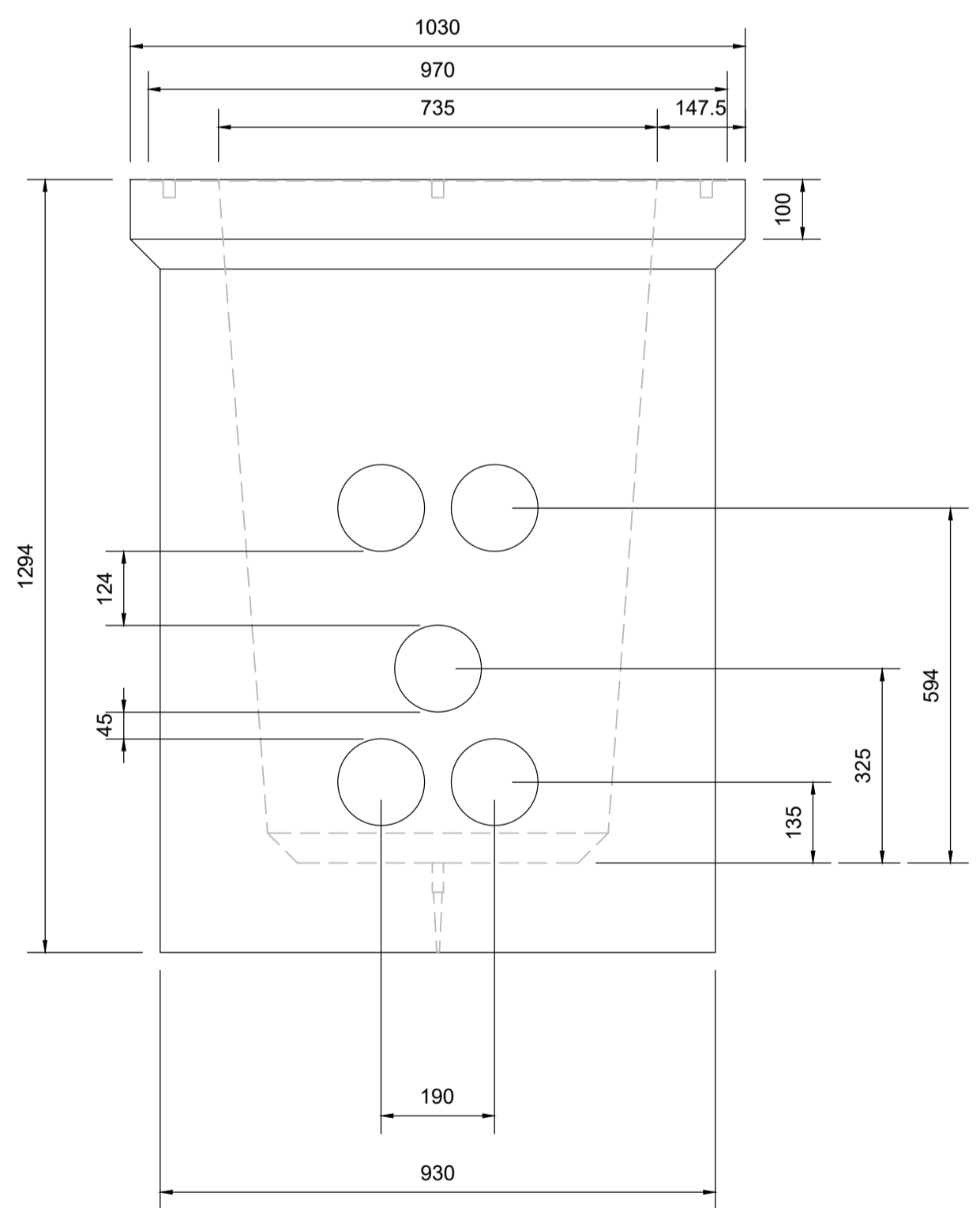


C2 COMMS CHAMBER



SECTION A



SECTION B

- NOTES:
1. ALL DIMENSIONS ARE IN MILLIMETERS.
 2. REINSTATEMENT TO COMPLY WITH REQUIREMENTS OF THE RELEVANT LOCAL AUTHORITY / ASSET OWNER.
 3. ENTRANCE AND EXIT DUCTS TO BE IN LINE.
 4. ALL MATERIALS AND WORKMANSHIP TO BE IN ACCORDANCE WITH THE TII SPECIFICATION FOR ROADWORKS.
 5. REINFORCED CONCRETE TO BE MINIMUM GRADE C32 / 40, SULPHATE RESISTING CEMENT TO BE USED WHERE AGGRESSIVE SOIL CONDITIONS APPLY, REFER TO TABLE 6.1 OF B.S. 8110.
 6. CARRIAGEWAY COVERS AND FRAMES TO BE TO B.S. 8110.
 7. ALL COVERS SHALL HAVE 'EIRGRID' LOGO INCORPORATED IN THEM TO THE APPROVAL OF EIRGRID.
 8. STEEP IRONS TO BE HOT DIPPED GALVANISED TO B.S. 729 AND POSITIONED AS SHOWN ON ANY CHAMBER DEEPER THAN 700mm ON THE END REMOTE FROM ANY SIDE ENTRY DUCT.
 9. CONCRETE PRECAST CHAMBER AND COVER SHOULD BE TESTED THROUGH A 5 POINTS 40 TONNES VERTICAL STATIC LOADING TEST BY AN INDEPENDENT TEST COMPANY. IF REQUIRED FURTHER DETAILS WILL BE PROVIDED BY EIRGRID.
 10. FINAL POSITION OF C2 COMMS CHAMBER SHALL BE AGREED WITH EIRGRID.

- GENERAL NOTES:
1. REFER TO DRAWINGS 281240-ARP-ON-CR-DR-PL-1100 TO 1164 FOR PROPOSED ONSHORE CABLE ROUTE.
 2. TYPICAL DETAILS BASED ON EIRGRID FUNCTIONAL SPECIFICATIONS. REFER TO OFD-SSS-526, OFD-SSS-527, OFD-SSS-528, OFD-SSS-528, OFD-SSS-529, OFD-SSS-530, OFD-SSS-531, & OFD-SSS-532.
 3. REFER TO DRAWINGS 281240-ARP-SO-XX-DR-PL-1168 FOR TYPICAL LAYOUT OF HORIZONTAL DIRECTIONAL DRILLING (HDD) COMPOUND.

| Rev | Date | By | Chkd | Appd |
|-----|----------|-----|------|------|
| C01 | May 2024 | EAM | RM | MD |
| D00 | 13.03.24 | SB | RM | MD |



Client
North Irish Sea Array Windfarm Ltd.
NISA
North Irish Sea Array

Project Title
North Irish Sea Array
Offshore Windfarm

Drawing Title
TYPICAL C2 COMMS
CHAMBER DETAIL

| | |
|-------------|-------------------------------|
| Scale at A1 | AS INDICATED |
| Role | Civil |
| Suitability | A2 - Approved for Planning |
| Arup Job No | 281240 |
| Name | 2812400-ARP-ONS-XX-DR-PL-3007 |
| Rev | C01 |