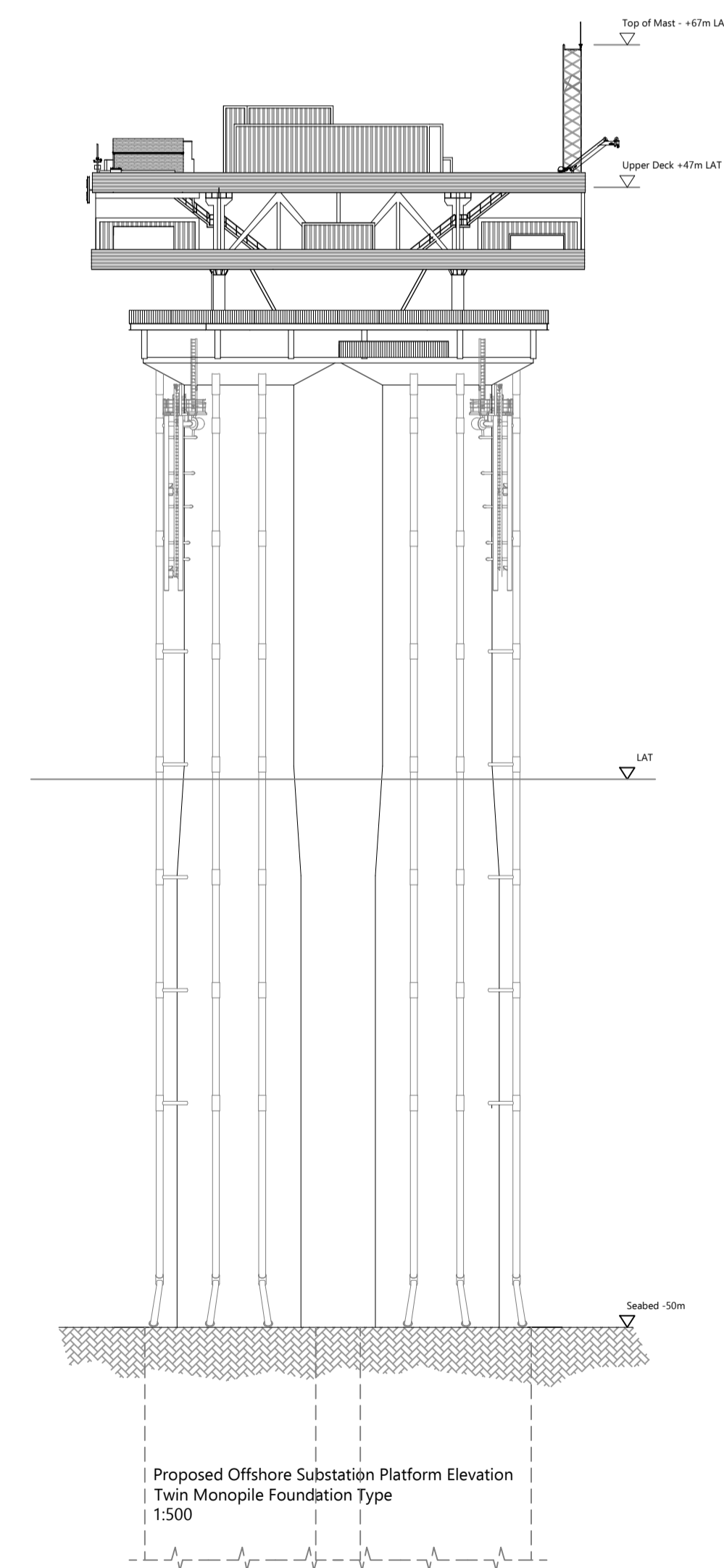
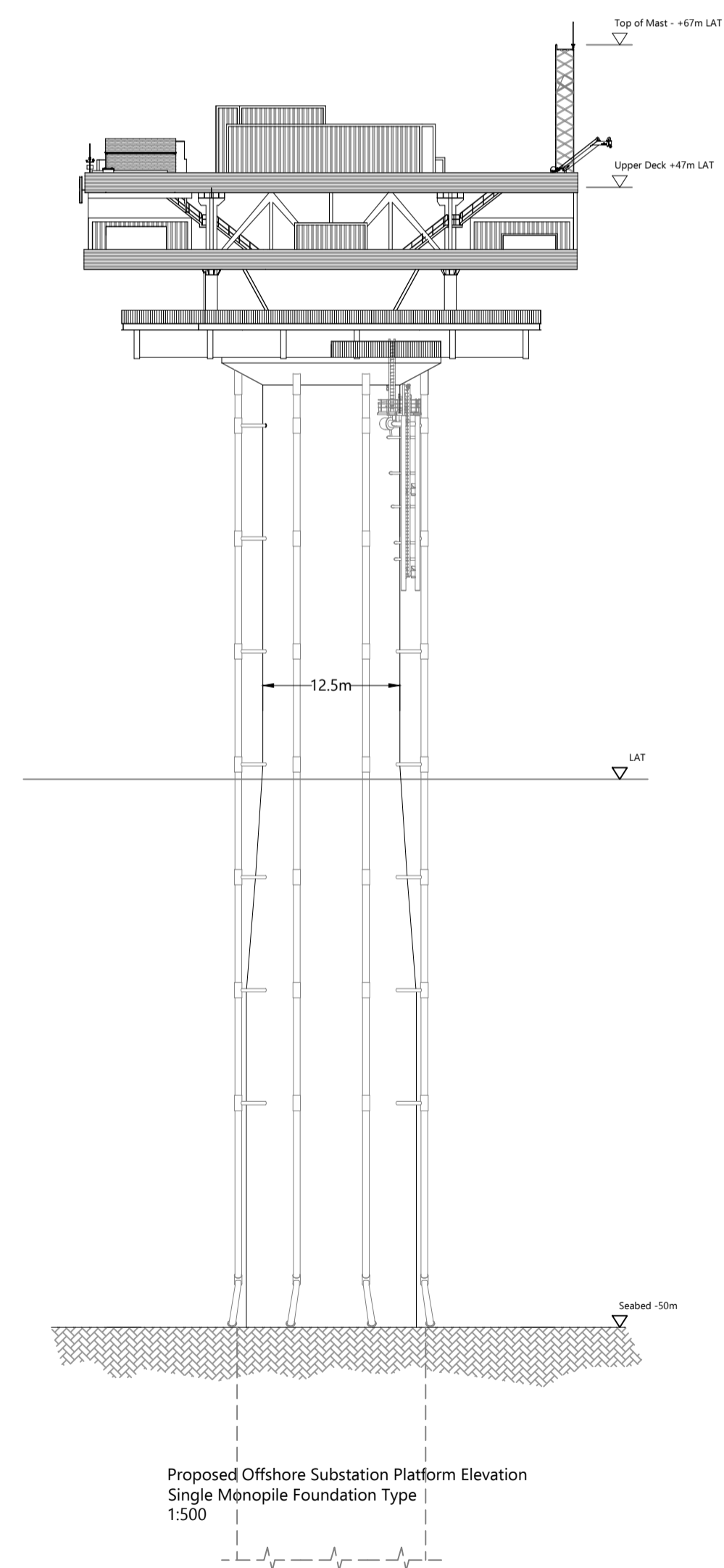
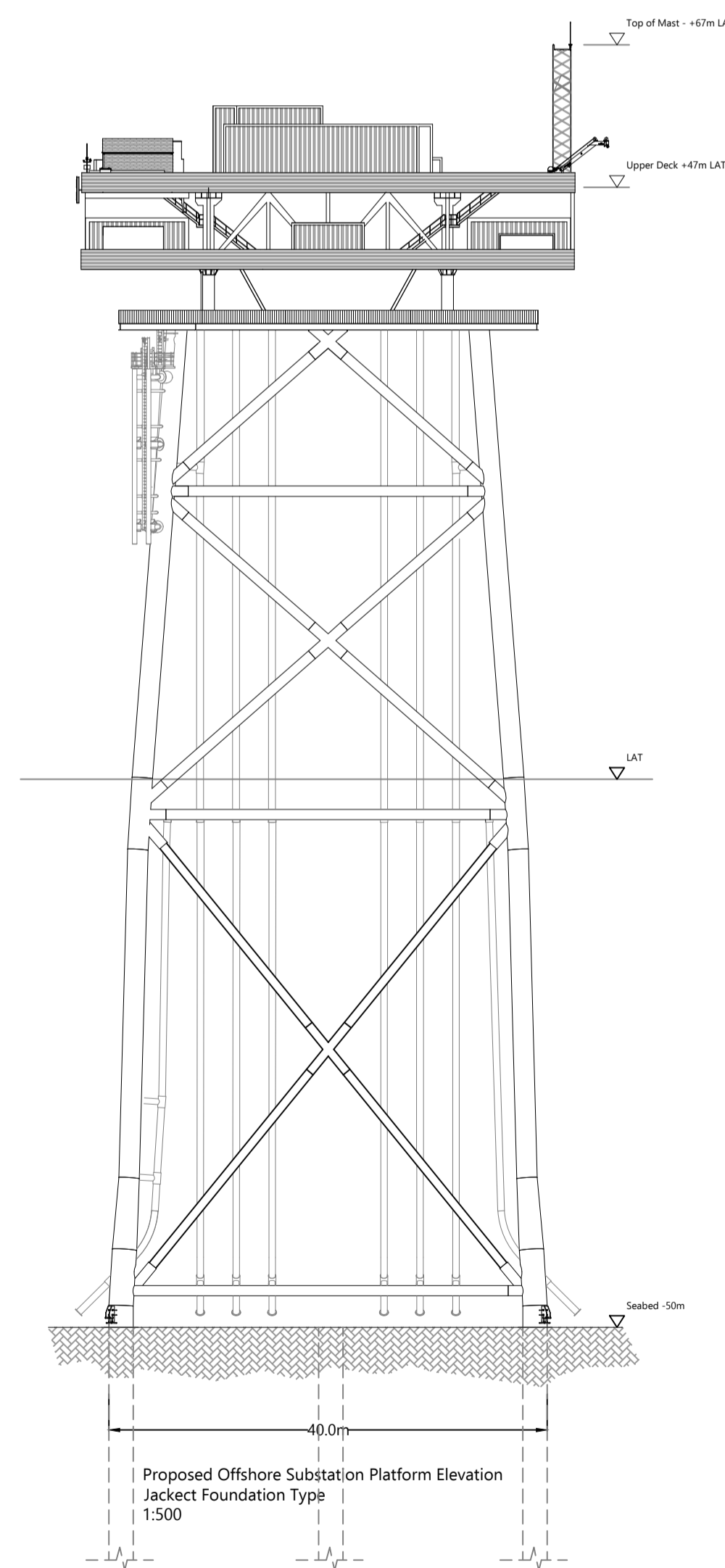
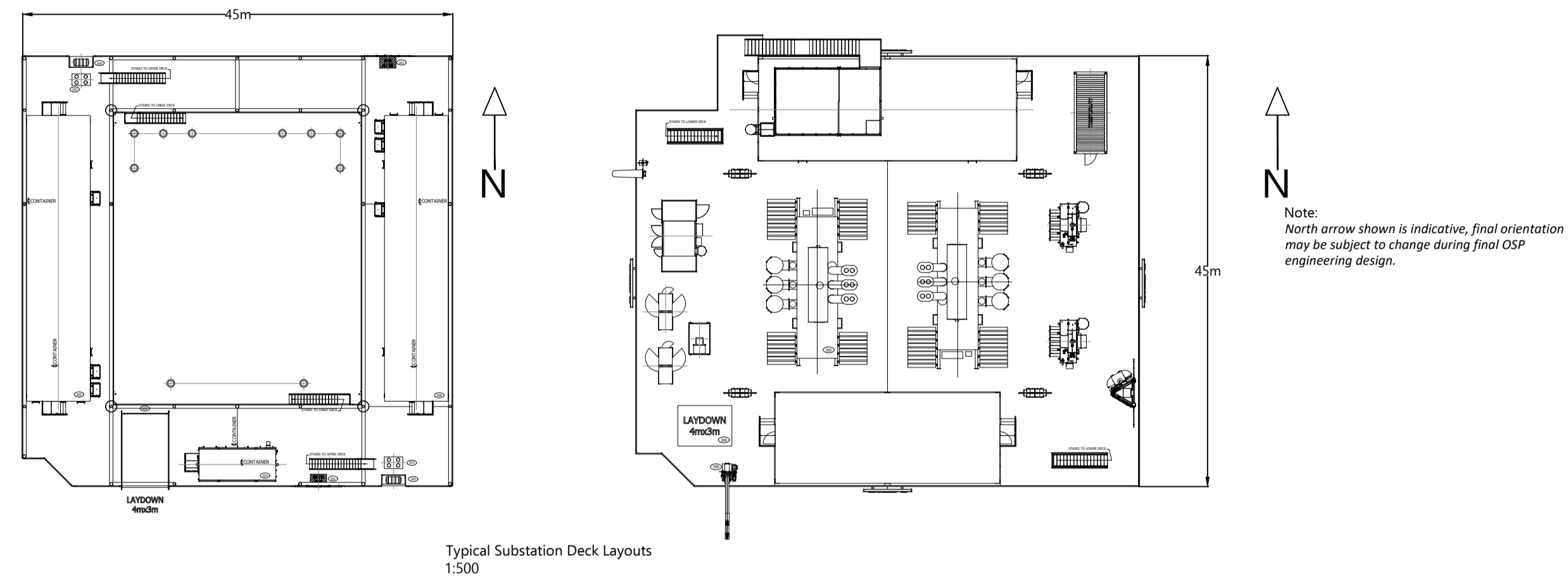


Note:
 The proposed design illustrated in the drawing includes flexibility as secured through the design flexibility opinion issued to the Developer by An Bord Pleanála under section 287B of the Planning Acts

These plans are not provided by the manufacturer and are not to be relied upon for construction purposes'



STATUS: PLANNING			
REV:	DESCRIPTION:	BY:	DATE:
A	Issue for Approval	JD	8/3/24
B	Issue for Review	JD	19/3/24
C	Issue for Review	JD	09/4/24
D	Planning Issue	JD	12/04/24

Drawing No: 281240-NISA-OFS-OA-DR-PL-2007

Building 3400
 Avenue 3000
 Cork Airport Business Park,
 Cork
 T12 AE76

SITE: NISA

TITLE:
 Proposed Offshore Substation Platform
 Plans & Elevations

SCALE AT A1: 1:500&NTS	DATE: 12/04/2024	DRAWN: JDUN	CHECKED: JDUB	Approved: MJ
---------------------------	---------------------	----------------	------------------	-----------------