

TABLE 1

CONCRETE SPECIFICATION TO IS EN 206-1

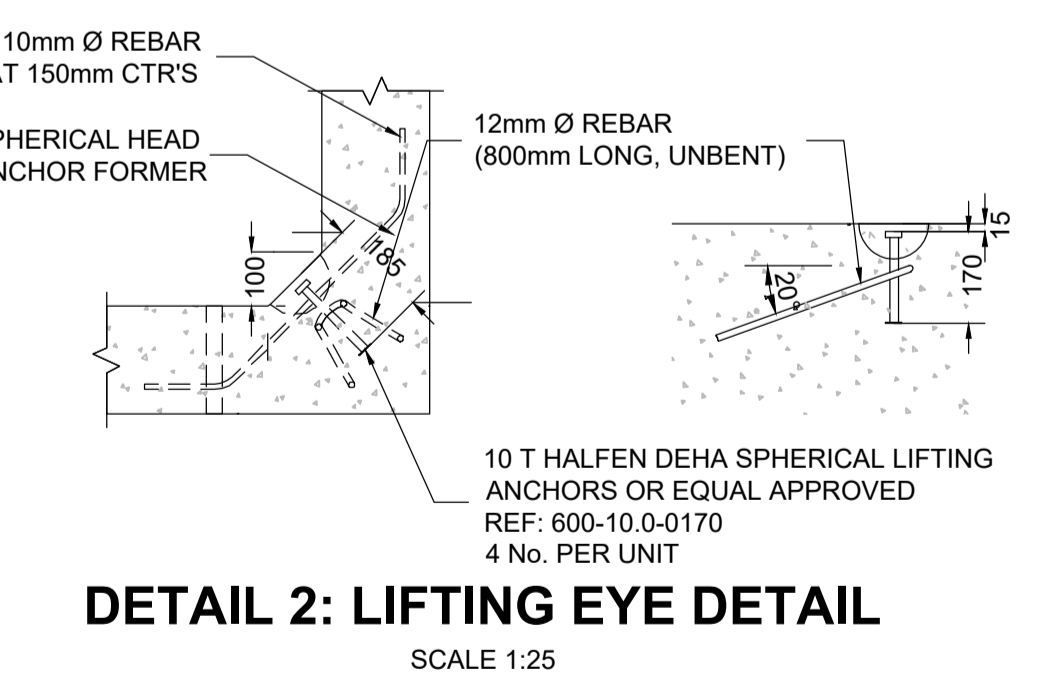
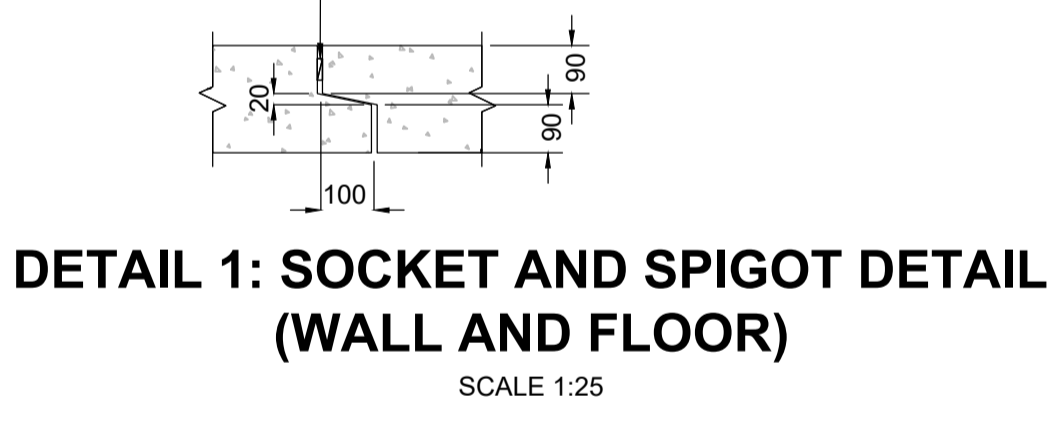
| | BLINDING & MASS CONCRETE, DRAINAGE PIPE & MANHOLE SURROUNDINGS | FOUNDATION S & WALLS |
|---|--|----------------------|
| EXPOSURE CLASS | X0 | XC2, XA2 |
| MN. CEMENT CONTENT (kg/m ³) | 240 | 340 |
| MAX. WATER/CEMENT RATIO | - | 0.500 |
| CEMENT TYPE TO I.S. EN 197-1 | CEM 1 N | CEM 1 N |
| CHLORIDE CONTENT CLASS | Cl. 1.0 | Cl. 0.40 |
| MAX AGGREGATE | 10 | 20 |
| MIN. COVER (mm) | - | 40 |
| COMPRESSIVE STRENGTH CLASS* | C16 / 20 | C30 / 37 |

NOTES:
 1. *C16 / 20 TO BE READ AS FOLLOWS:
 16: REFERS TO MIN CHARACTERISTIC CYLINDER STRENGTH (N/mm²)
 20: REFERS TO MIN CHARACTERISTIC CUBE STRENGTH (N/mm²)
 2. DESIGN WORKING LIFE TO BE 50 YEARS MIN.

TABLE 2

DUCT SEPARATION

| 220kV | X | Y | Z | W |
|-------|-----|-----|-----|-----|
| | 375 | 250 | 250 | 375 |



GENERAL NOTES:

- REFER TO DRAWINGS 281240-ARP-ON-CR-DR-PL-1100 TO 1164 FOR PROPOSED ONSHORE CABLE ROUTE.
- TYPICAL DETAILS BASED ON EIRGRID FUNCTIONAL SPECIFICATIONS. REFER TO OFD-SSS-526, OFD-SSS-527, OFD-SSS-528, OFD-SSS-528, OFD-SSS-529, OFD-SSS-530, OFD-SSS-531, & OFD-SSS-532.
- REFER TO DRAWINGS 281240-ARP-SO-XX-DR-PL-1168 FOR TYPICAL LAYOUT OF HORIZONTAL DIRECTIONAL DRILLING (HDD) COMPOUND.

| Rev | Date | By | Chkd | Appd |
|-----|----------|-----|------|------|
| C01 | May 2024 | EAM | RM | MD |
| D00 | 13.03.24 | SB | RM | MD |



Client
North Irish Sea Array Windfarm Ltd.

NISA
North Irish Sea Array

Project Title
North Irish Sea Array Offshore Windfarm

Drawing Title
TYPICAL ONSHORE CABLE JOINT BAY DETAILS

| | |
|-------------------------------------|----------------------------|
| Scale at A1 AS INDICATED | |
| Role | Civil |
| Suitability | A2 - Approved for Planning |
| Arup Job No | Rev |
| 281240 | C01 |
| Name | |
| 281240-ARP-ONS-XX-DR-PL-3006 | |