

FENCE HEIGHT TO BE ADJUSTED AT GATE TO ACHIEVE MIN 2600mm FROM ROAD LEVEL

M12 FIXING BOLTS & PERMACONE SHEAR NUTS

50 x 50 x 6 ANGLE BOLTED TO 50 x 50 x 6 ANGLE BRACKET BOLTED TO POST

FIXING AREA TO POST 100 x 75mm, ENSURING METAL TO METAL FIXINGS

PALES TO BE 70 x 20 x 3.5mm CORRUGATED WITH TRIPLE POINTED AND SPLAYED HEADS WELDED TO 50 x 50 x 6 STEEL ANGLE WITH 23 No. PALES PER PANEL

ALL POSTS PREDRILLED WITH 15mm DIA. FIXING HOLES INTERNAL FLANGE FACE PROVIDE A 1m LENGTH OF 50mm PVC PIPE DUCT FROM RSJ EARTH LUG THROUGH PLINTH INTO COMPOUND AT EACH CORNER AND MIDDLE OF FENCE LENGTH

50 x 50 x 6 ANGLE HORIZONTAL RAILS

PANELS EMBEDDED 50mm IN CONCRETE PLINTH & 100mm MINIMUM CONCRETE COVER TO FRONT OF PALES

POST EMBEDDED LENGTH 850mm MIN.

1100 x 600 x 600 CONCRETE FOUNDATIONS DIMENSIONS TO OUTSIDE GROUND LEVEL GRADE C20/25 CONCRETE

ELEVATION OF FENCE SCALE 1:50

2750 POST CENTRES

50mm SPACING BETWEEN 3.5mm PALES (23no. PER PANEL)

100x35x8.1 kg/m RSJ POSTS

50 x 50 x 6 HORIZONTAL RAIL

TOP OF FENCE

100 x 55 x 8.1 kg/m RSJ POSTS

55

150

1.1m x 0.6 x 0.6 CONCRETE FOUNDATIONS

CONCRETE PLINTH 50mm MIN. ABOVE & BELOW GROUND LEVEL & HARDCORE UNDER

ALL POSTS PREDRILLED WITH 13mm DIA. FIXING HOLES FLANGE OF INTERNAL FACE 13mm LENGTH OF ANGLE TO PANELS 150mm FROM TOP OF CONCRETE PLINTH TO CENTER OF HOLE

POWDER COATED GALVANISED FENCE. TO ENSURE METAL TO METAL FIXINGS THERE IS TO BE NO POWDER COATING TO THE FOLLOWING:

- ANGLE FIXING BRACKET
- FIXING AREA TO POST (100x75mm)
- 100mm LENGTH OF ANGLE TO PANELS
- 50x50mm AREA AT PREDRILLED HOLES

ALL POSTS PREDRILLED WITH 13mm DIA. FIXING HOLES FLANGE OF INTERNAL FACE 13mm HOLES TO BE DRILLED 150mm FROM TOP OF CONCRETE PLINTH TO CENTER OF HOLE

SIDE ELEVATION OF POST SCALE 1:50

100

100

1.1m x 0.6 x 0.6 CONCRETE FOUNDATIONS

CONC. PLINTH (SHOWN DOTTED)

HORIZONTAL RAILS 50 x 50 x 6 ANGLE BOLTED TO 50 x 50 x 6 ANGLE BRACKET BOLTED TO POST

100 x 55 x 8.1 kg/m RSJ POSTS

BOLTS M12 WITH PERMACONE SHEAR NUTS

10mm FALL 50mm MINIMUM CONCRETE COVER TO PALES PLINTH 140mm MINIMUM DEPTH

100 MIN.

150mm x 250mm CONCRETE PLINTH ON 150mm HARDCORE UNDER

PALES & PLINTH DETAILS SCALE 1:50

100

2600

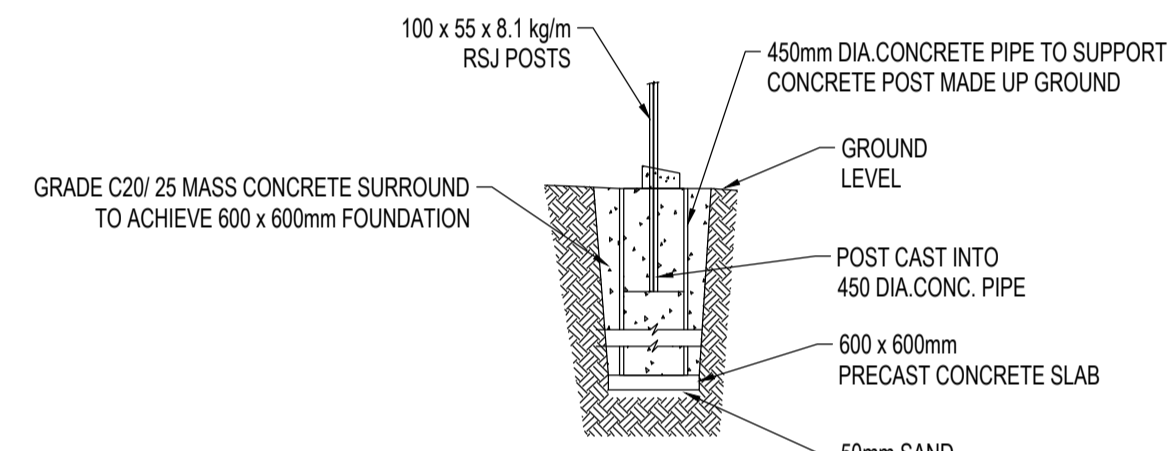
1.1m x 0.6 x 0.6 CONCRETE FOUNDATIONS

DETAILS OF FOUNDATION TO CORNER POSTS SCALE 1:50

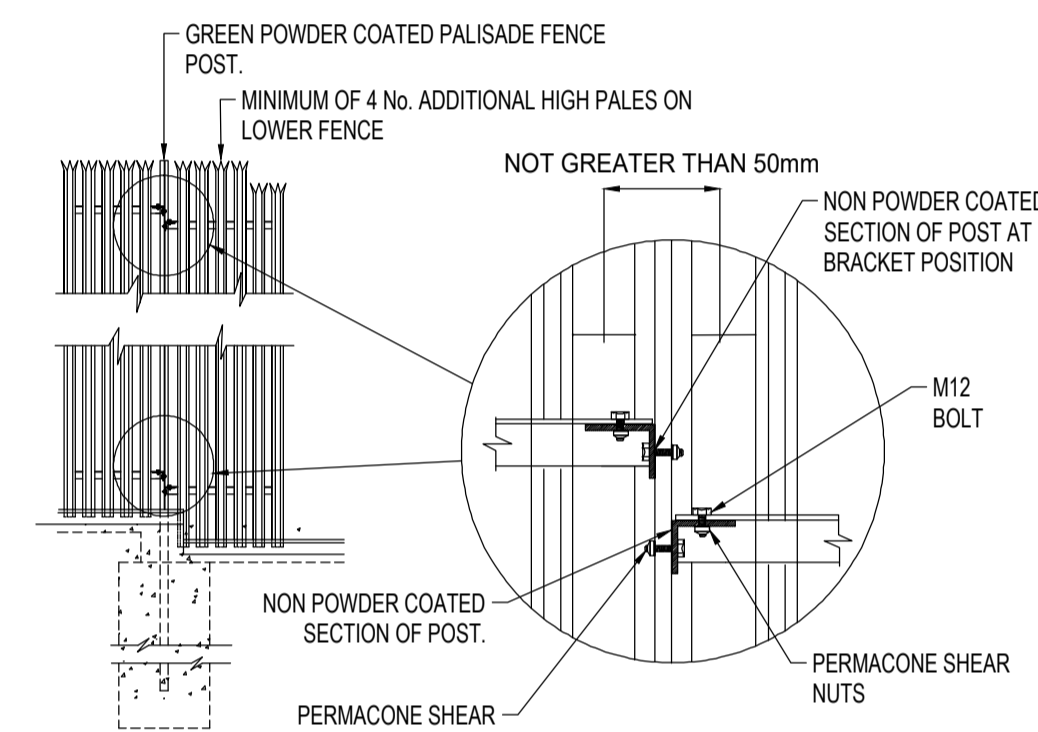
1100

800

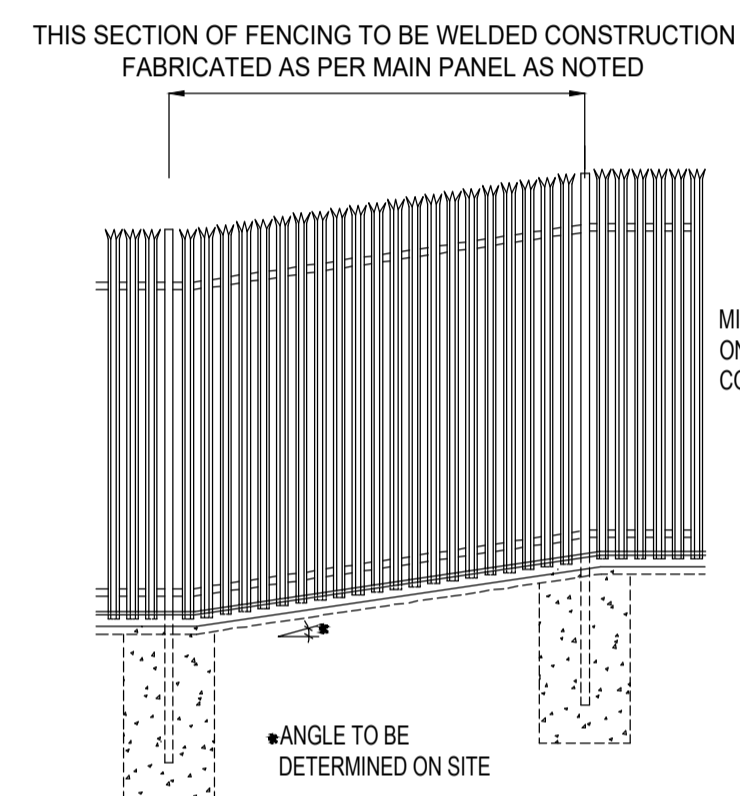
1100 x 800 CONCRETE FOUNDATIONS DIMENSIONS TO OUTSIDE GROUND LEVEL



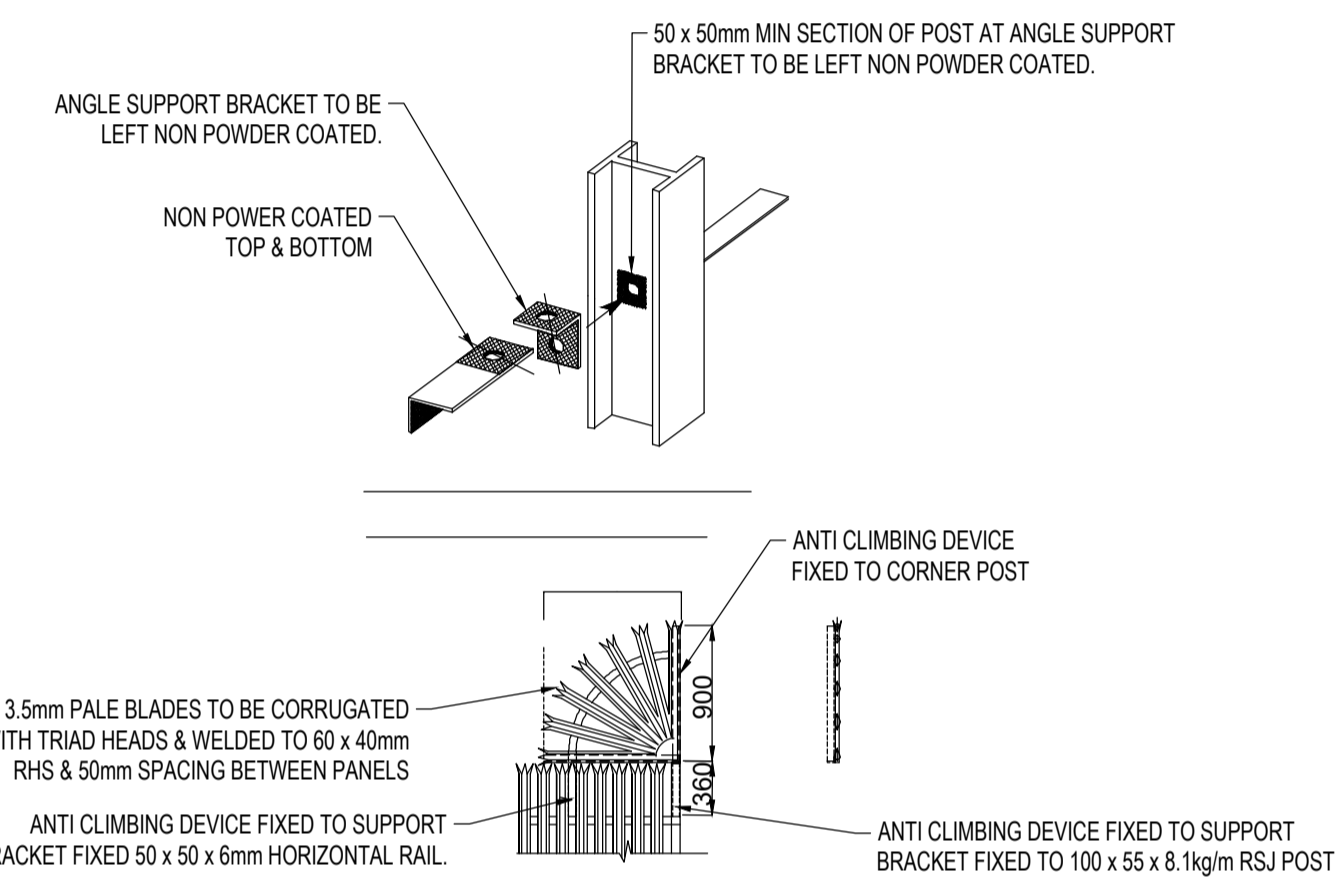
DETAIL WHERE THERE IS MADE-UP GROUND SCALE 1:50



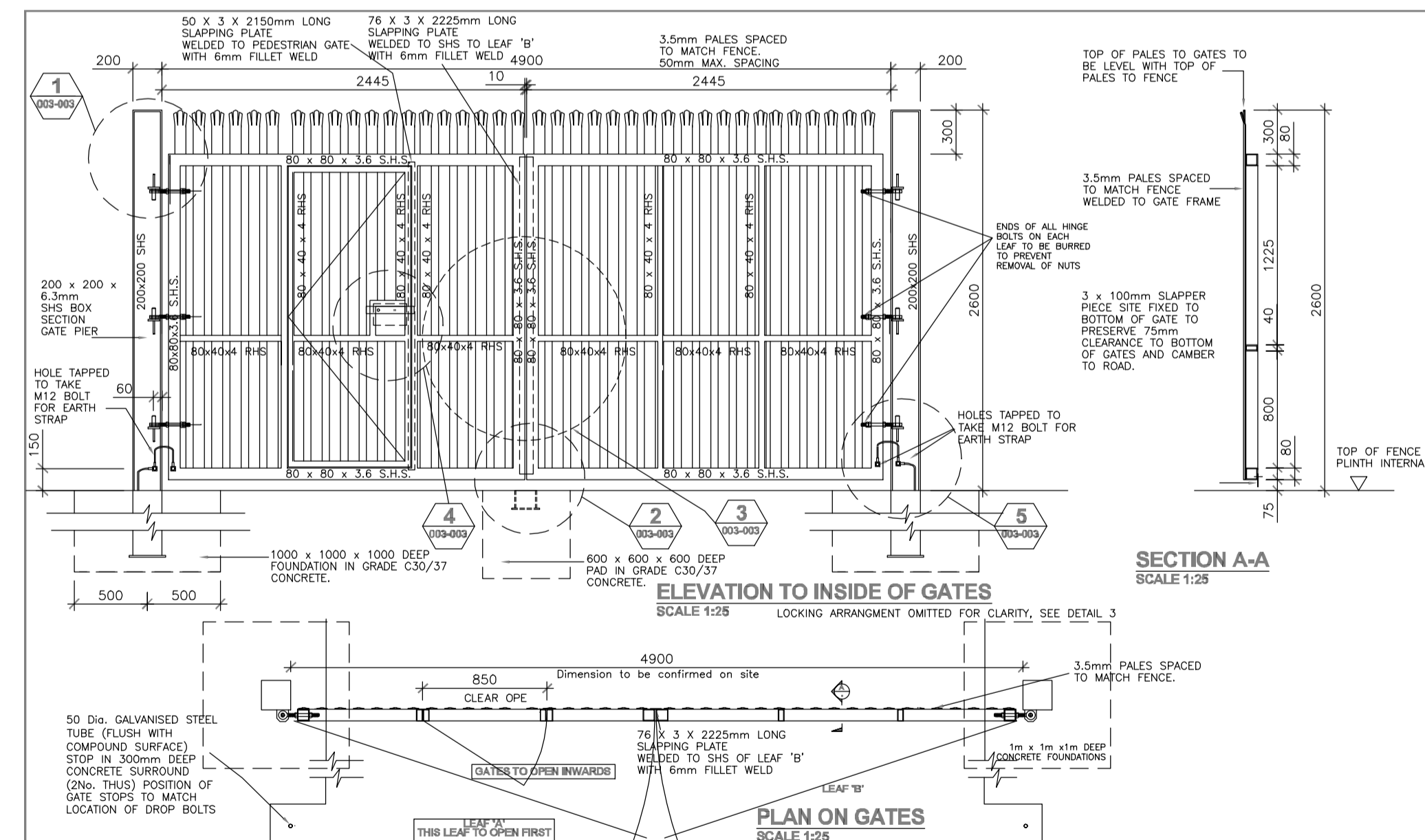
STEP(S) IN PALISADE FENCE (WHERE APPLICABLE) SCALE 1:50



ELEVATION TO TYPICAL SLOPED SECTION OF FENCING SCALE 1:50



DETAILS OF ANTI-CLIMBING AID (WHERE APPLICABLE) SCALE 1:50



ELEVATION TO INSIDE OF GATES SCALE 1:25

LOCKING ARRANGEMENT OMITTED FOR CLARITY, SEE DETAIL 3

500 500

1000 x 1000 x 1000 DEEP FOUNDATION IN GRADE C30/37 CONCRETE

600 x 600 x 600 DEEP PAD IN GRADE C30/37 CONCRETE

200 x 200 x 6.3mm S10 B16A SECTION GATE PIPE

HOLE TAPPED TO TAKE M12 BOLT FOR EARTH STRAP

200 x 200 x 6.3mm S10 B16A SECTION GATE PIPE

50 Dia. GALVANISED STEEL TUBE (FLUSH WITH COMPOUND SURFACE) STOP IN 300mm DEEP CONCRETE SUBROUND (2No. THIS) POSITION OF GATE STOPS TO MATCH LOCATION OF DROP BOLTS

76 x 3 x 2225mm LONG SLAPPING PLATE WELDED TO SHS OF LEAF 'B' WITH 6mm FILLET WELD

3.5mm PALES SPACED TO MATCH FENCE

ENDS OF ALL HINGE BOLTS ON EACH LEAF TO BE BLURRED TO PREVENT REMOVAL OF NUTS

3 x 100mm SLAPPER PIECE SITE FIXED TO BOTTOM OF GATE TO PRESSURE CLEARANCE TO BOTTOM OF GATES AND CAMBER TO ROAD

HOLE TAPPED TO TAKE M12 BOLT FOR EARTH STRAP

TOP OF PALES TO GATES TO BE LEVEL WITH TOP OF PALES TO FENCE

200

200

2600

1225

40

800

75

TOP OF FENCE PLINTH INTERNALLY

SECTION A-A SCALE 1:25

4900

Dimension to be confirmed on site

850

CLEAR OPE

76 x 3 x 2225mm LONG SLAPPING PLATE WELDED TO SHS OF LEAF 'B' WITH 6mm FILLET WELD

1m x 1m x 1m DEEP CONCRETE FOUNDATIONS

LEAF 'B'

THIS LEAF TO OPEN FIRST

PLAN ON GATES SCALE 1:25

<p>Client: EIRGRID</p> <p>Project: COOLINABACKY 600 KV SUBSTATION</p> <p>Contract: CIVIL BUILDING AND ENVIRONMENTAL</p>		<p>Drawing Title: DETAILS OF PALISADE DOUBLE GATE</p> <p>Drawing Number: PE610-D002-003-024-000</p> <p>Scale: A3</p>																
<p>Revision Table:</p> <table border="1"> <thead> <tr> <th>Rev</th> <th>Date</th> <th>By</th> <th>Chkd</th> <th>Appd</th> </tr> </thead> <tbody> <tr> <td>C01</td> <td>May 2024</td> <td>EAM</td> <td>RM</td> <td>MD</td> </tr> <tr> <td>D00</td> <td>13.03.24</td> <td>SB</td> <td>RM</td> <td>MD</td> </tr> </tbody> </table>		Rev	Date	By	Chkd	Appd	C01	May 2024	EAM	RM	MD	D00	13.03.24	SB	RM	MD	<p>Scale at A1: AS INDICATED</p> <p>Role: Civil</p> <p>Suitability: A2 - Approved for Planning</p> <p>Arup Job No: 281240</p> <p>Name: 281240-ARP-ONS-XX-DR-PL-3011</p>	
Rev	Date	By	Chkd	Appd														
C01	May 2024	EAM	RM	MD														
D00	13.03.24	SB	RM	MD														



- GENERAL NOTES:
1. CONSTRUCTION DETAILS WILL BE SUBJECT TO CONTRACTOR'S DESIGN. REFER TO DRAWINGS
  2. 281240-ARP-ONS-GF-DR-CD-1000 & 281240-ARP-ONS-GR-DR-CD-1001 FOR PROPOSED GRID FACILITY LAYOUT.