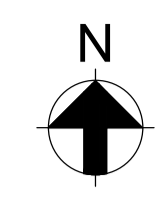
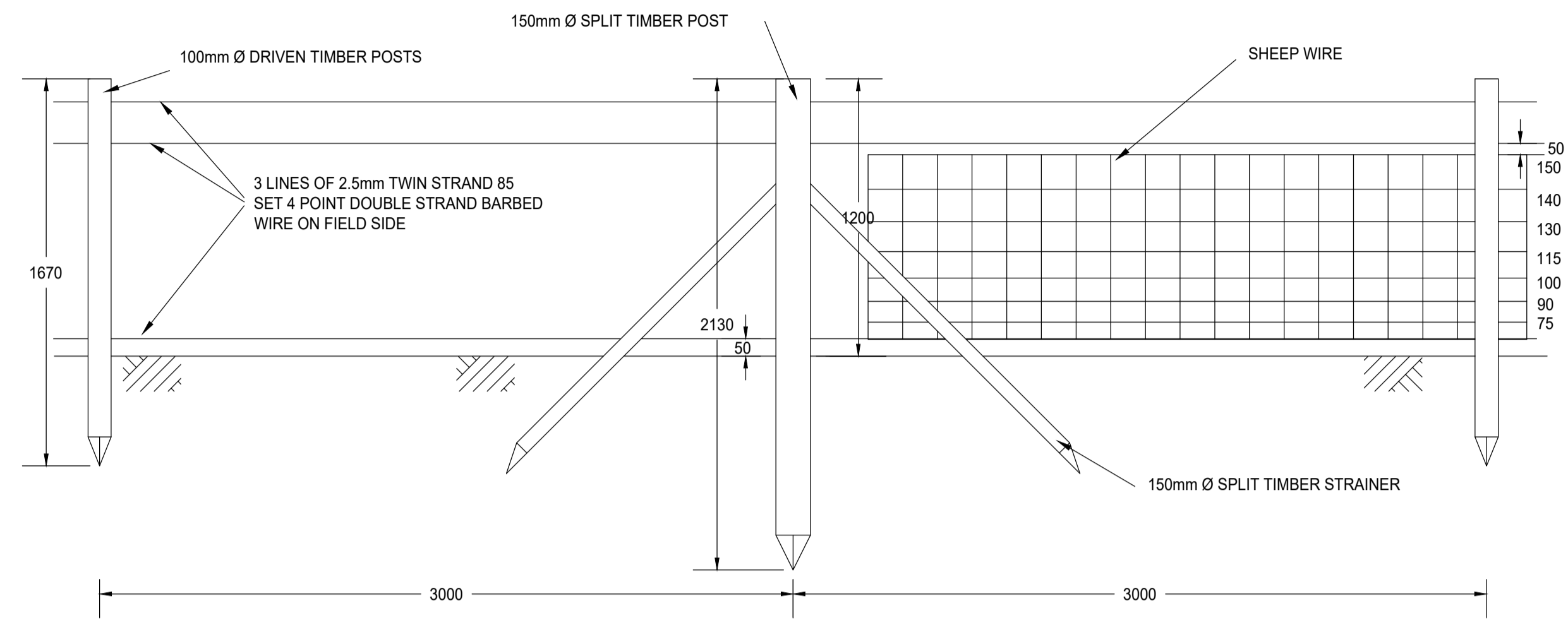


A1
1
2
3
4
5
6
7
8
9
10

A B C D E F G H I J K L M N O P

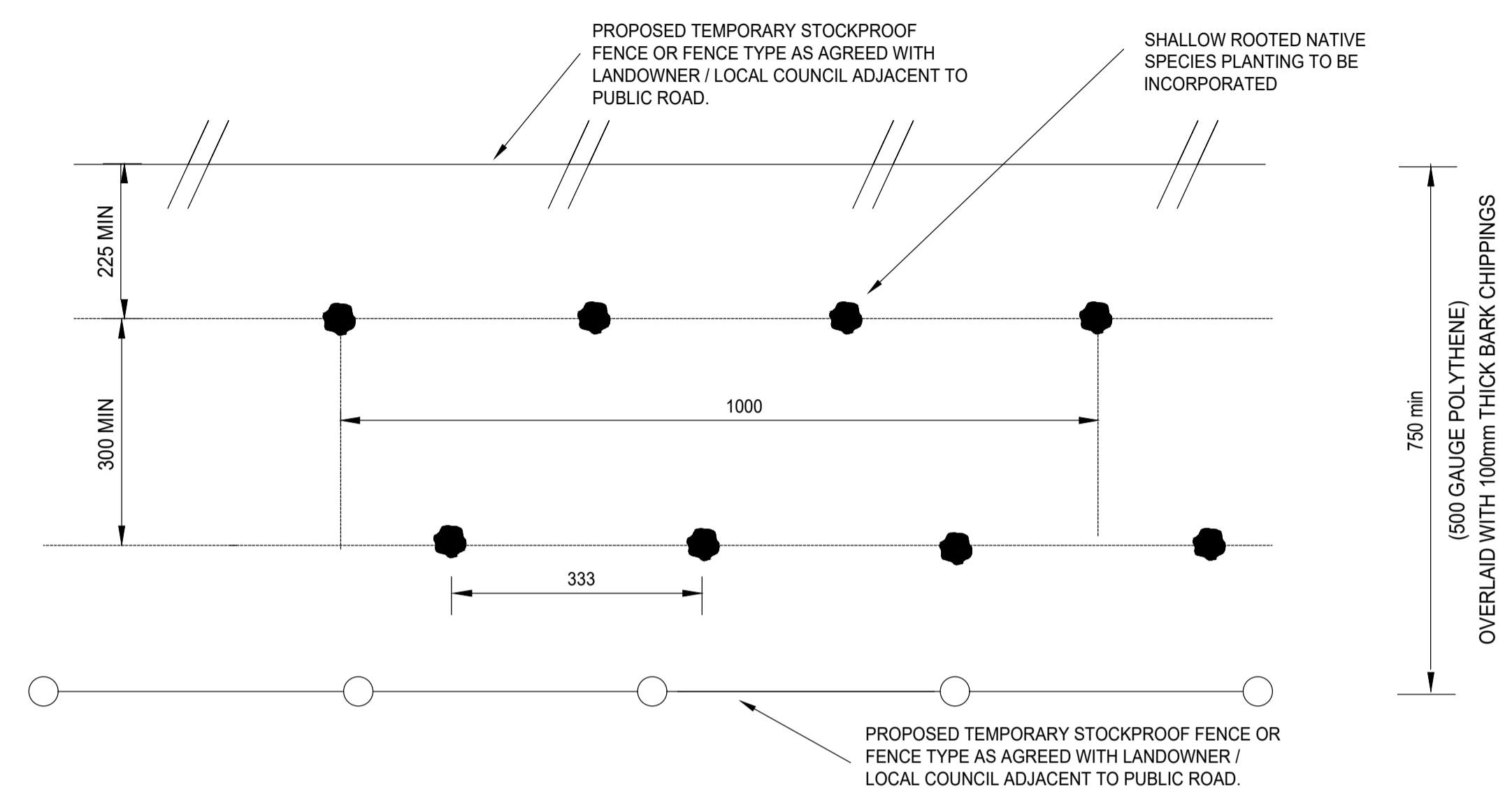


- GENERAL NOTES.**
- CONSTRUCTION DETAILS WILL BE SUBJECT TO CONTRACTOR'S DESIGN. REFER TO DRAWINGS
 - 281240-ARP-ONS-GF-DR-CD-1000 & 281240-ARP-ONS-GR-DR-CD-1001 FOR PROPOSED GRID FACILITY LAYOUT.

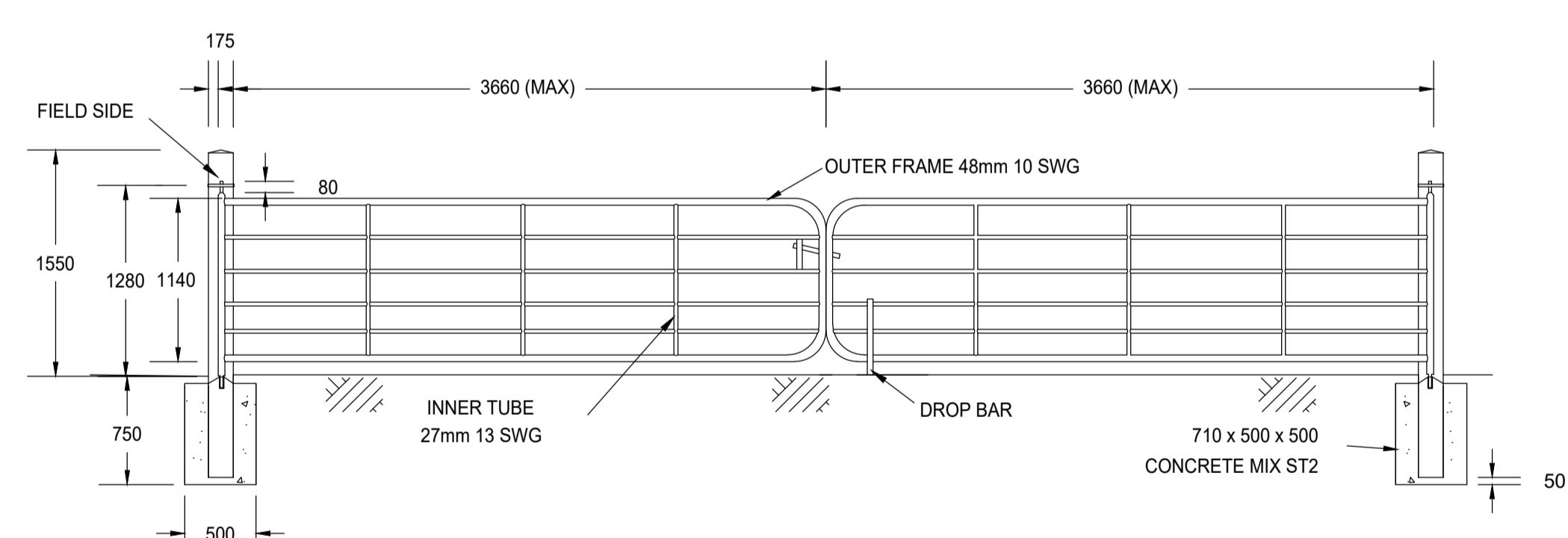


TYPICAL STOCKPROOF FENCE
SCALE NTS

- NOTES**
- FENCING TO COMPLY WITH BS 1722-2:1999.
 - WOVEN WIRE TO BE B 8.80.15.W (SEE BS1722-2:1999 TABLE 1) AND GALVANISED IN ACCORDANCE WITH BS EN ISO 1461:1999.
 - HORIZONTAL WIRES TO BE TENSIONED AND THEN SECURED TO POSTS WITH STAPLES GALVANISED IN ACCORDANCE WITH BS EN ISO 1461:1999.
 - STRAINING POSTS PLACED AT INTERVALS NOT EXCEEDING 60M. ALSO AT THE START AND FINISH OF EACH FENCE RUN AND MAJOR CHANGE OF DIRECTION.

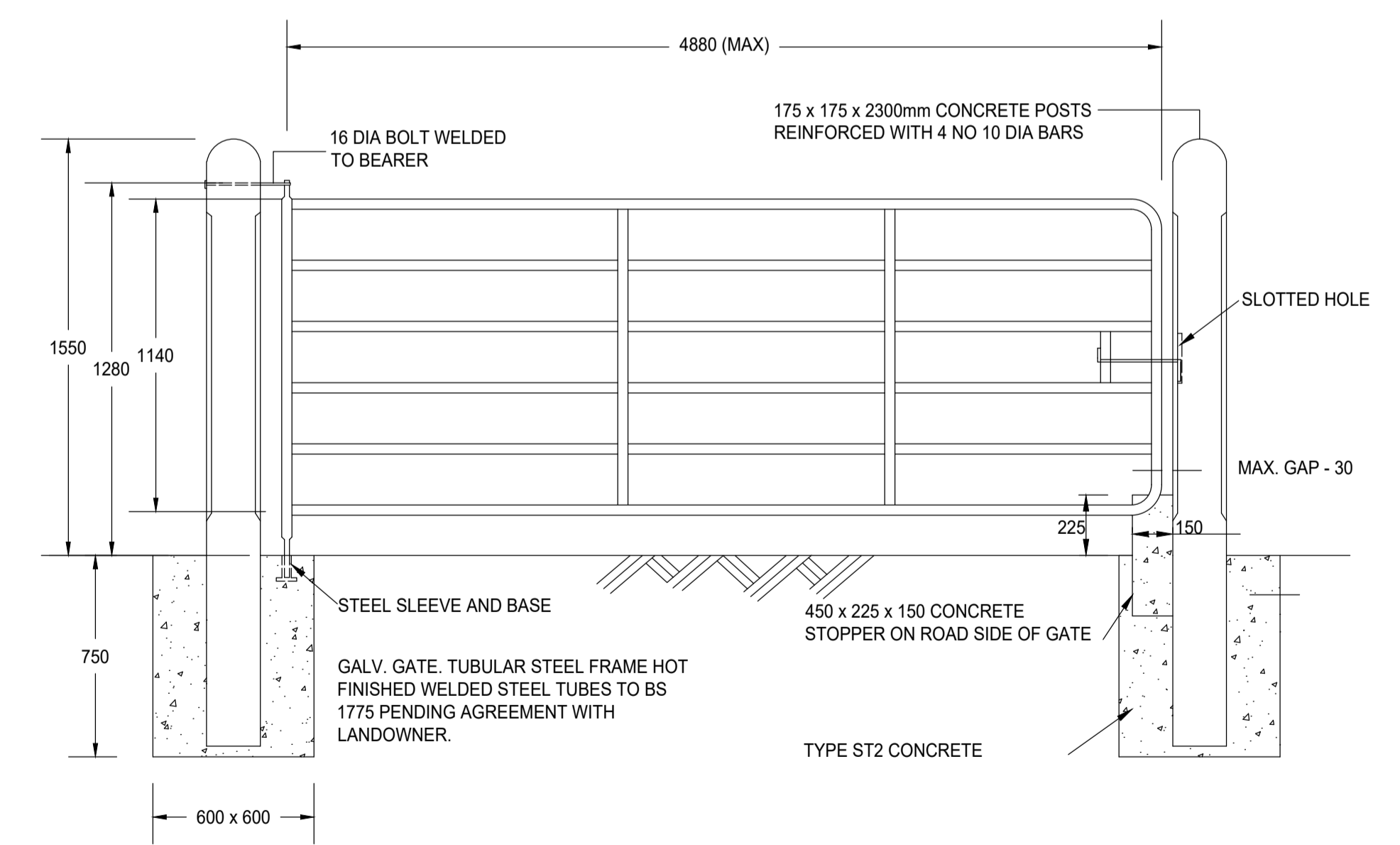


TYPICAL REINSTATEMENT HEDGEROW AND TEMPORARY PROTECTION FENCING
SCALE NTS



TYPICAL ACCESS ROAD FIELD DOUBLE GATES
SCALE NTS

- NOTES**
- ALL TUBES TO BE IN COMPLIANCE WITH BS 6323-1:1982.
 - GATE AND FITTINGS TO BE HOT DIPPED GALVANISED TO BS EN ISO 1461:1999.
 - CONCRETE GATE POSTS 175X175X2300MM LONG.
 - REINFORCED WITH 4 NO. 10MM Ø BARS. IF TIMBER POST REQ'D SIZE TO BE 200X200X2300MM LONG.
 - IF STEEL POST REQ'D SIZE TO BE 150X150X2300MM LONG.
 - GATES SHALL BE HUNG TO FIELD SIDE.
 - GATE TO BE AGREED WITH LANDOWNER.



TYPICAL ACCESS ROAD FIELD SINGLE GATE
SCALE NTS

Rev	Date	By	Chkd	Appd
C01	May 2024	EAM	RM	MD
D00	13.03.24	SB	RM	MD



Client
North Irish Sea Array Windfarm Ltd.

Project Title
North Irish Sea Array Offshore Windfarm

Drawing Title
TYPICAL FENCE AND FIELD GATE DETAILS

Scale at A1	AS INDICATED
Role	Civil
Suitability	A2 - Approved for Planning
Arup Job No	281240
Name	281240-ARP-ONS-XX-DR-PL-3012
Rev	C01